



CV1 2.5" Series Solid-State Drives | SATA 6 Gb/s

Lite-On SSDs Move at the Speed of You

Stop waiting for application load times. Do more by running your system longer, faster and more efficiently.

FAST CONSISTENT PERFORMANCE

Lite-On's CV1 Series Client Solid-State Drives with the SATA interface boosts your device's performance by accelerating application responsiveness, increasing productivity, and improving energy efficiency. This simple upgrade, delivers superior speed at 4KB random read performance of up to 85,000 IOPS and 4KB write performance of up to 75,000 IOPS. With lightning fast response times, a Lite-On SSD will keep pace with your busy lifestyle.

Say good-bye to system boot-up or program wait times. Download large files in seconds rather than minutes. And access your stored movies, games, photos and music with ease and speed. The Lite-On CV1 Series SSDs are built to expedite your life's data efficiently and securely no matter what the file type.

Operating more efficiently than traditional HDDs, the CV1 consumes less power, which extends your system's battery life.

THE FIRMWARE ADVANTAGE

Our dedicated engineers work closely with high-grade chip manufacturers to develop solutions particular to your needs. Lite-On SSDs are already an industry-leading product, and with Lite-On's customized proprietary firmware, your Lite-On SSD will provide superior performance at consistent speeds for years to come.

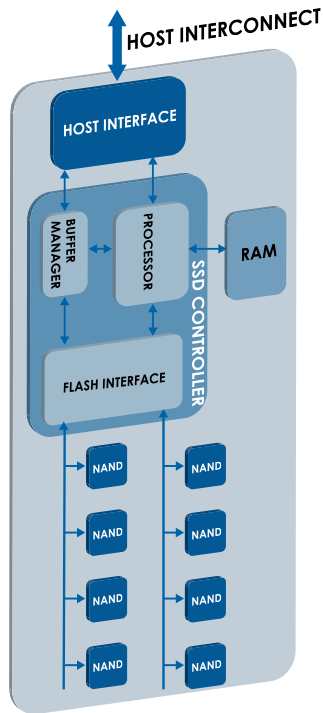
FEATURES

- HIGH PERFORMANCE
- BEST IN CLASS QUALITY
- RELIABILITY
- CUSTOMIZED FIRMWARE
- AVAILABLE IN 64/128/256/512 GB CAPACITIES

APPLICATION WORKLOADS

- OFFICE TOOLS WORKLOAD
- 2D/3D DESIGN
- MULTIMEDIA AND VISUAL EFFECTS EDITING
- RUN SIMULATIONS

SOLID-STATE DRIVE COMPONENTS



CV1 2.5" Series Solid-State Drives | SATA 6 Gb/s

Technical Specifications				
Model Name	CV1-CB64	CV1-CB128	CV1-CB256	CV1-CB512
Capacity	64 GB	128 GB	256 GB	512 GB
Performance				
Sequential Read/Write ¹	490/80 MB/s	520/160 MB/s	520/320 MB/s	520/450 MB/s
4K Random Read/Write ¹	35K/18K IOPS	60K/34K IOPS	80K/68K IOPS	85K/75K IOPS
Compatibility				
Host Interface	6.0 Gb/s (Backward Compatible to 1.5/3.0 Gb/s)			
Form Factor	2.5" (100mm x 69.85mm x 6.8mm) @ 60g max			
Reliability				
Power On/Off Cycles	50,000			
MTBF ²	1.5 million hours			
Features				
ECC	BCH ECC 128 Random Bits/2KB			
S.M.A.R.T	Support			
TRIM Command	Support			
Password Protection	Support			
TCG-OPAL 2.0	Optional			
Dimensions and Weight				
DEVSLP	2 mW (0.002 W)			
Typical (DIPM Enable)	0.25 W			
Environment and Reliability				
Operating Temperature	0 to 70° C			
Non-operating Temperature	-40 to 85° C			
Power-on Ready ³	300 ms			
Resume from DEVSLP	100 ms			

1. Based on internal testing, performance may vary depending on host device, OS, and application.

2. MTBF– Mean Time Between Failures based on parts stress analysis.

3. Assumes that drive had normal shutdown process previously with STANDBY IMMEDIATE command.

For more information, please visit
liteonssd.com



Lite-On Sales and Distribution, Inc.
 42000 Christy Street
 Fremont, CA 94538
 510.687.1800

© 2016 Copyright Lite-On Technology Corporation

Lite-On Storage is a Strategic Business Group (SBG) of Lite-On Technology Corporation.

Lite-On Storage is a global leader in the design, development, and manufacturing of Solid State Drives (SSDs) and Optical Disc Drives (ODDs).

Lite-On Storage offers customized solutions and superior firmware to PC Client, Industrial Solutions, Automotive, Enterprise, and Cloud Computing environments. All Lite-On SSDs are designed and developed 100% in-house at their state-of-the-art facilities in Taiwan.

Specifications and data are subject to change without notice.