

# Simplify your Storage Solutions



## NAS Series Enterprise Solid-State Drives SATA 6 Gb/s

DESIGNED TO SOLVE TODAY'S ENTERPRISE STORAGE CHALLENGES AND ADDRESS THE LIMITATIONS HARD DRIVE TECHNOLOGY IMPOSES ON IT INFRASTRUCTURES.

### FEATURES

Reliable Consistency  
Very Low Latencies  
Power Loss Protection  
Multiple Layers of data protection  
Customized Firmware  
TCG-OPAL Support  
Available in 1.8" and 2.5" form factors

### APPLICATION WORKLOADS

On-Line Transaction Processing (OLTP)  
Financial Transactions  
E-Commerce  
SQL Logging  
Collaboration  
E-Mail/Messaging Server

### FAST CONSISTENT PERFORMANCE

Lite-On's NAS Series Enterprise Solid-State Drives deliver superior speed with 4KB random read performance of up to 70,000 IOPS and 4KB write performance of up to 22,000 IOPS. With latencies reaching only 50/65  $\mu$ s, a Lite-On SSD ensures the quickest and most consistent command response times in the industry. Lite-On's NAS Series SSDs offer exceptional performance with low active power consumption (5 watts).

### END-TO-END DATA PROTECTION

Lite-On SSDs give you peace of mind. From the instant data is stored on a Lite-On SSD, its integrity is checked and rechecked on multiple points along the data path. This End-to-End Data Protection guards against corruption to ensure that data is error-free, so you can be worry free.

### POWER LOSS PROTECTION

Power outages are a nightmare, but Lite-On reduces the loss of data from this universal problem by including a Power Loss Protection circuit within each of its solid-state drives. In the event of an unsafe power failure, this circuit enables the drive to save all cached data before shutting down.

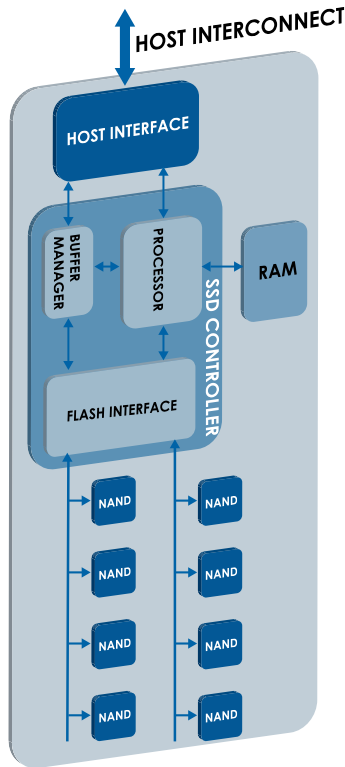
### HIGH ENDURANCE

By combining SSD NAND management techniques and NAND silicon enhancements, Lite-On NAS Series SSDs achieve 5 Drive Writes per Day (DWPD) over a 3 year drive life. For the ECE-800NAS 800GB that's equivalent to recording over 25 years of HD video over the life of the drive.

### THE FIRMWARE ADVANTAGE

Our dedicated engineers work closely with high-grade chip manufacturers to develop solutions particular to your needs. Lite-On SSDs are already an industry-leading product, and with Lite-On's customized proprietary firmware, your Lite-On SSD will provide superior performance at consistent speeds for years to come.

## SOLID-STATE DRIVE COMPONENTS



Technical Specifications				
Model Name	ECE-100NAS	ECE-200NAS	ECE-400NAS	ECE-800NAS
Capacity	100 GB	200 GB	400 GB	800 GB
Performance				
Sequential Read/Write <sup>1</sup>	480/260 MB/s		480/400 MB/s	
4K Random Read/Write <sup>1</sup>	70K/18K IOPS		70K/22K IOPS	
8K Random Read/Write <sup>1</sup>	42K/9K IOPS		47.5K/11K IOPS	
Latency Read/Write <sup>1</sup>	50/65 μs			
Compatibility				
Host Interface	6 Gb/s (Backward Compatible to 1.5/3 Gb/s)			
Form Factor	2.5" (100 mm x 69.85 mm x 6.8 mm) @ 70g max			
	1.8" (78.5mm x 55mm x 5mm) @ 45g max			N/A
Reliability				
UBER <sup>2</sup>	1 error in 10 <sup>17</sup> bits transferred			
End-to-End Protection	Supported			
Power Loss Protection	Supported			
MTBF <sup>3</sup>	2 million hours			
Endurance				
DWPD <sup>4</sup>	Up to 5 Drive Writes per Day for 3 Years			
Data Retention	3 Months Power-off Retention			
Power Consumption				
Idle	1.2 watts			
Active	5 watts			
Environment				
Operating Temperature	0 to 70° C			
Non-operating Temperature	-40 to 85° C			
Power-on Ready	<15 sec			<20 sec

1. Based on internal testing, performance, may vary depending on host device, OS and application
2. UBER - Unrecovered Bit Error Rate
3. MTBF - Mean Time Between Failures based on parts stress level
4. Standard 3 year warranty

For more information, please visit [liteonssd.com](http://liteonssd.com)



Lite-On Sales and Distribution, Inc.  
42000 Christy Street  
Fremont, CA 94538  
510.687.1800

© 2015 Copyright Lite-On Technology Corporation

Lite-On is a trademark of Lite-On Technology Corporation, registered in the United States and other countries. Other brand names mentioned herein are for identification purposes only and may be the trademarks of their respective holder(s).

Lite-On Storage is a Strategic Business Group of Lite-On Technology Corporation.

Lite-On Storage is a global leader in the design, development, and manufacturing of Solid State Drives (SSDs) and Optical Disc Drives (ODDs). Lite-On SSDs are designed and developed 100% in-house by Lite-On at their state-of-the-art facilities in Taiwan.

By leveraging partnerships with industry-leading components manufacturers, Lite-On Storage is able to offer customized solutions and superior firmware to a wide range of industries. Lite-On Storage SBG offers an extensive line of SSDs and embedded flash products for PC Client, Industrial Solutions, Automotive, Enterprise, and Cloud Computing, accommodating a variety of interfaces and form factors.

Specifications and data are subject to change without notice.